

mellerware®

TRENDS FOR LIFE

Arezzo Capsule Coffee Machine



complies with
INTERNATIONAL
IEC60355
SAFETY SPECIFICATIONS

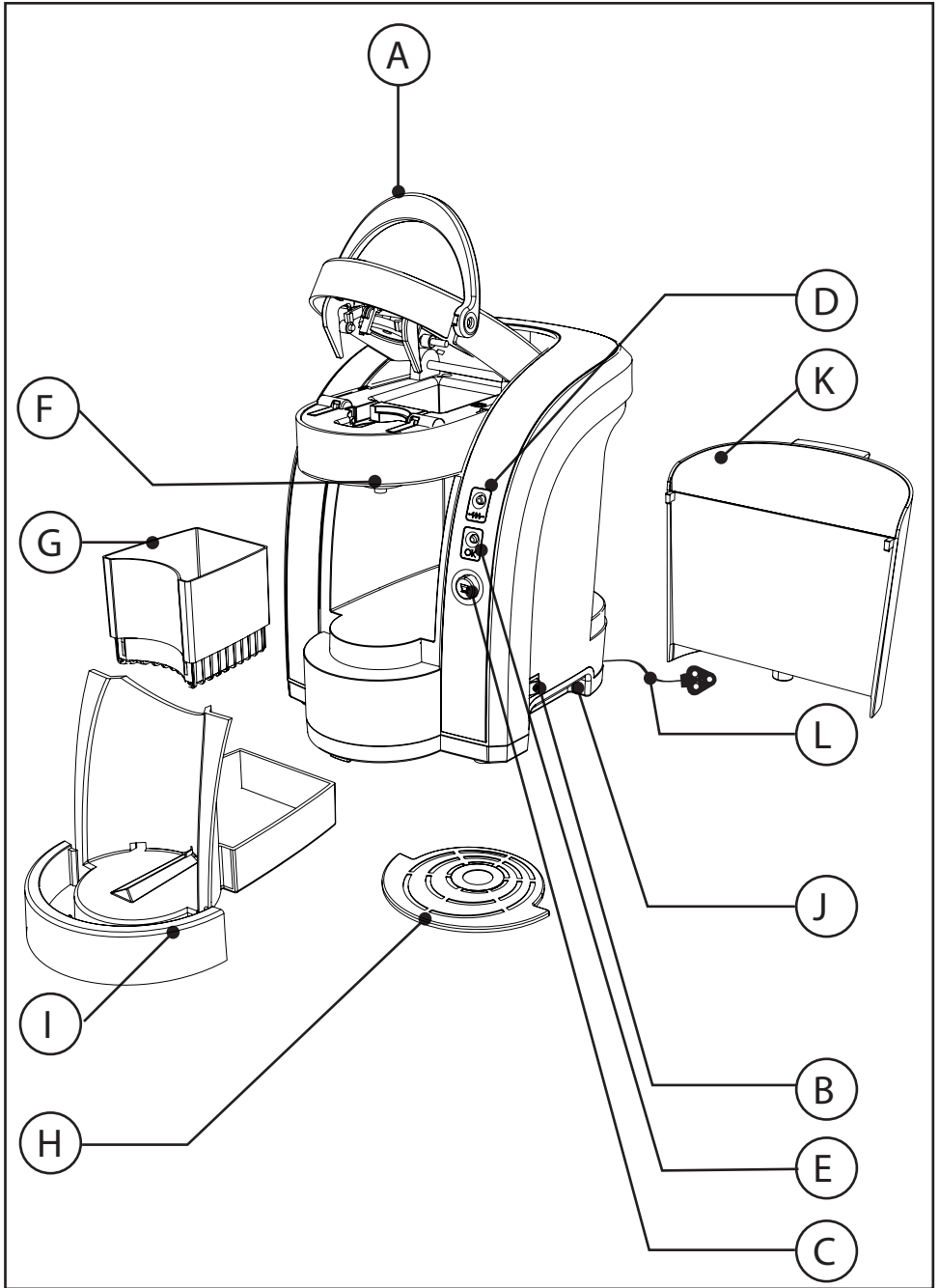
m
1150W

CE
2 YEAR
GUARANTEE

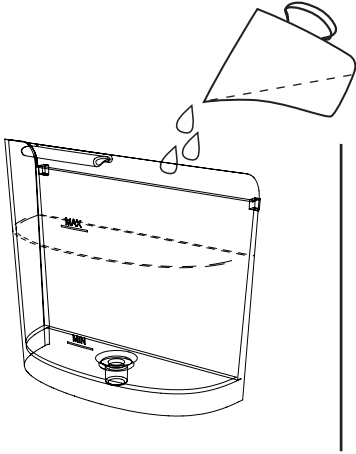
Model:
29777

PLEASE READ ALL INSTRUCTIONS BEFORE USE

2 year guarantee



a



b

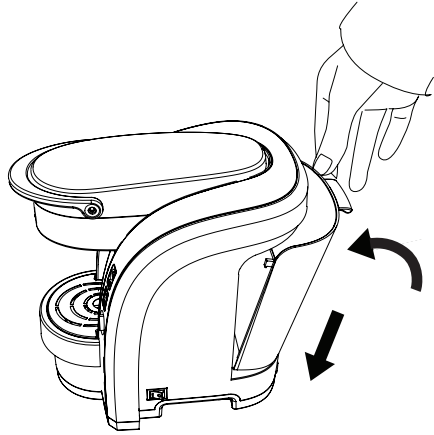
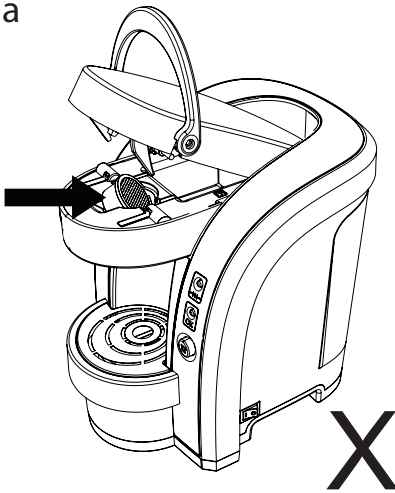


Fig. 1

a



b

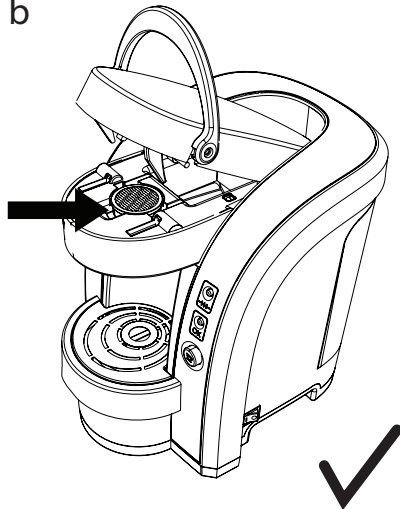


Fig. 2

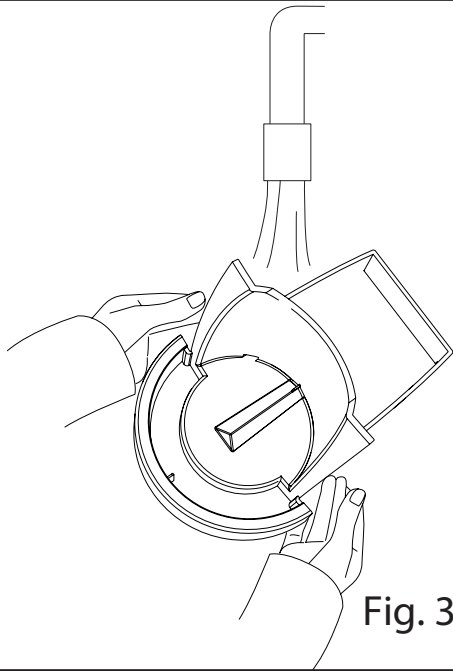


Fig. 3

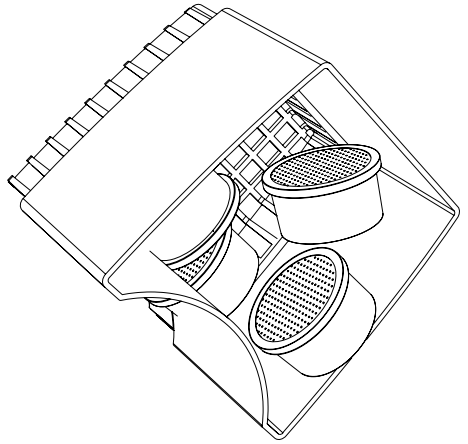


Fig. 4

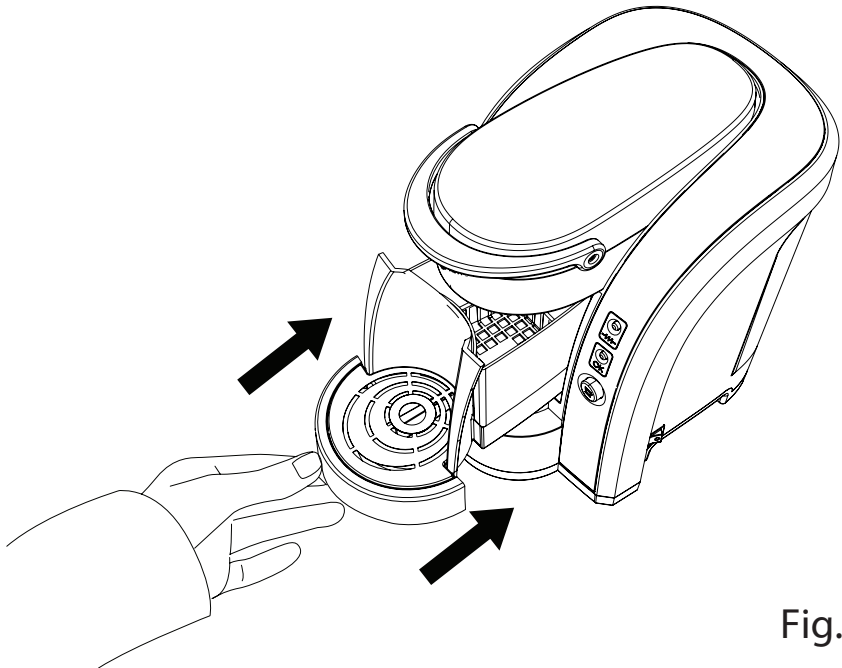


Fig. 5

Capsule Coffee Maker Arezzo

i Dear customer,
Many thanks for choosing to purchase a Mellerware brand product.
Thanks to its technology, design and operation and the fact that it exceeds the strictest quality standards, a fully satisfactory use and long product life can be assured.

Description

- A Leaver for opening capsule compartment
- B On/off switch
- C Coffee preparation button
- D Red pilot light indicating that machine is heating up
- E Green luminous pilot light indicating that the temperature is sufficient for extraction of coffee
- F Pour coffee
- G Extractable receiver draw for used capsules
- H Drip grill
- I Extractable drip tray
- J Side handles for transport
- K Extractable water tank
- L Power cable

⚠ Safety advice and cautions

- Read these instructions carefully before switching on the appliance and keep them for future reference. Failure to follow and observe these instructions could lead to an accident.
- Before using for the first time, clean all parts of the appliance that can come into contact with edible products, observing the instructions of the cleaning section.

Use or working environment:

- The appliance must be used and placed on a flat, stable surface.

Electrical safety:

- Do not use the appliance if the cable or plug is damaged.
- Ensure that the voltage indicated on the rating label matches the mains voltage before plugging in the appliance.
- The appliance's plug must fit into the mains socket properly. Do not alter the plug. Do not use plug adaptors.
- Only use the appliance with the specific electric connector provided.
- Do not use or store the appliance outdoors.
- Do not leave the appliance out in the rain or exposed to moisture. If water gets into the appliance, this will increase the risk of electric shock.
- Do not force the electrical connection wire. Never use the electric wire to lift up, carry or unplug the appliance.
- Do not wrap the cable around the appliance.
- Check the state of the electrical connection cable. Damaged or tangled cables increase the risk of electric shock.
- Do not touch the plug with wet hands.

Use and care:

- Completely unroll the electric cable of the appliance.
- Do not use the appliance if the parts or accessories are not properly fitted.
- The water tank (K) must be filled with water before turning the device on.
- Do not use the appliance if the on/off switch does not work.
- Do not move the appliance while in use.

- Carry the appliance using the handles.
- Do not use the appliance while it is in a tilted position, or turn it upside down.
- Do not force the handle for opening the capsule compartment (A) if the capsule has been incorrectly placed or if the used capsule draw (G) is full.
- Respect the MAX and MIN levels.
- Unplug the appliance from the mains when not in use and before undertaking any cleaning task.
- This appliance is for household use only, not professional or industrial use.
- This appliance is not a toy. Children should be supervised to ensure that they do not play with the appliance.
- This appliance is intended for adult use. Ensure that this product is not used by the disabled, children or people unused to its handling.
- This appliance should be stored out of reach of children and/or the disabled.
- Do not store the appliance if it is still hot or if the water tank is full.
- Do not expose the appliance to extreme temperatures.
- Keep and store the appliance in a dry place, free from dust and away from sunlight.
- Check that the ventilation grill on the appliance is not blocked with dust, dirt or other objects.
- Keep the appliance in a good state. Check that the moveable parts are not incorrectly positioned or obstructed, and that there are no broken pieces or other conditions that could affect the correct functioning of the appliance.
- Only use the appliance with drinking water.
- It is recommended to use bottled mineral water apt for human consumption.
- Check that the opening lever for the capsule compartment (A) and the water tank (K) are correctly fitted before turning the appliance on.
- Do not pull the opening lever for the capsule compartment (A) while the coffee is being poured or during cleaning.
- Do not extract the water tank (K) while the coffee is being poured or during cleaning.
- Any misuse or failure to follow the instructions for use renders the guarantee and the manufacturer's liability null and void
- If there are any problems experienced with this product, please contact the supplier or return it to the store where it was purchased, along with the purchased slip. Any attempt to repair it outside of the authorised service centre and agent, will render the guarantee and will void.

Instructions for use

Notes prior to use:

- Do not use the appliance for more than one minute at a time, or carry out cycles during a time period greater than 3 minutes, in which case the rest periods between cycles should be at least 1 minute. Under no circumstances is it recommendable to maintain the appliance functioning for more than the necessary time.
- In order to guarantee the correct functioning of the Caturra coffee machine, and to obtain the best coffee, using "Coffeemotion" capsules is recommended.
- The appropriate volume of coffee for a generous espresso is 40ml (some 23

seconds).

- The appropriate volume of coffee for a double espresso is between 80 and 110 ml (some 50 seconds). Using “Coffeemotion Largo” capsules is recommended.
- Always supervise the appliance while it is functioning.
- Do not leave the appliance connected unsupervised. This will also save energy and prolong the life of the appliance.
- Check that all the product packaging has been removed.
- Before using the product for the first time, it is advisable to run the cycle using only water.
- Before using the product for the first time, clean the parts that come into contact with edible elements as described in the Cleaning section.

Filling with water:

- The water tank must be filled with water before turning the appliance on.
- Extract the appliance water tank.
- Fill the deposit with cold water.
- Fill the recipient respecting the MAX and MIN levels (Fig. 1).
- Put the water tank back on its stand, ensuring that it is correctly positioned.

Use:

- Connect the appliance to the mains with the power cable (L).
- Turn the appliance on, using the on/off switch (B).
- The red pilot light (D) will light up.
- Wait until the green luminous pilot light (E) lights up, which

means that the appliance has reached a sufficient temperature.

- Lift up the lever (A) to open the capsule compartment and introduce one capsule only.
- Make sure that the capsule has been correctly positioned (Fig 2).
- Lower the lever (A) and close the capsule compartment.
- While the appliance is in use the pilot light (E) will connect and disconnect automatically, indicating that the heating elements are functioning in order to maintain the desired temperature.
- Position the coffee cup.
- Press the pour coffee button (C) to pour out the coffee and press again to stop pouring.
- Withdraw the cup of coffee.
- The capsule will be automatically disposed when the capsule compartment (A) is next opened.
- Empty the drip tray (I).
Once you have finished using the appliance:
- Turn off the appliance, by using the on/off button (B).

Transport handles:

- This device has two Handles (J) on both sides at the bottom so that it can be easily and comfortably carried

Cleaning



- Unplug the appliance from the mains and let it cool before starting any cleaning.
- Clean the equipment with a damp cloth with a few drops of washing-up liquid and then dry.
- Do not use solvents, or products with an acid or base pH such as bleach, or abrasive products, for cleaning the appliance.
- Empty and wash the water tank, the drip tray (I) and the used capsule

draw (G) (Fig 3).

- Wash, rinse and refill the water tank with drinking water (K).
- Never submerge the appliance in water or any other liquid or place it under running water.
- If the appliance is not kept in a clean condition, its surface can deteriorate and badly affect the product's shelf life, provoking a potentially dangerous situation.

Used capsule bin:

- The appliance has a bin that enables used capsules to be collected (G).
- Extract the drip tray (I) from the appliance (Fig 4) and take out the capsule bin (G).
- Throw away the content of the bin (G).
- Return the drip tray (I) along with the capsule tray (G) to the appliance.

(Fig 5)

Auto-cleaning Function:

- Turn the appliance on (L).
- Check that there is water in the water tank (K).
- Leave the appliance to heat up until the pilot light (E) indicates that a sufficient temperature has been reached.
- Turn on the pour coffee button (C) without using a capsule.
- Leave the water to pour (F) for 1 minute.
- Press the pour coffee button again (C) to stop the water from pouring.
- It's important to carry out the auto-cleaning function at least once a month to eliminate the lime scale residue and other minerals that have collected in the inside of the appliance.
- It is important to carry out the auto-cleaning function if a different type of drink is made.

How to deal with lime scale incrustations:

- However, if it is not possible to use the kind of water recommended above, you should periodically remove the lime scale from the appliance:
- Every 6 weeks if the water is "very hard".
- Every 12 weeks if the water is "hard".
- To do so, we recommend the use of the limescale Decal, which can be found in specialised shops and authorised technical services.
- Homemade solutions are not recommended in the descaling of this appliance, such as the use of vinegar. Anomalies and repair
- Take the appliance to an authorised technical support service if problems arise. Do not try to dismantle or repair without assistance, as this may be dangerous.
- If the connection to the mains has been damaged, it must be replaced and you should proceed as you would in the case of damage.

creative housewares

27 Nourse Avenue Epping 2 Cape Town
PO. Box 975 Eppindust 7475 South Africa
Tel: +27 21 534 8114 Fax: +27 21 534 8086
Service Centre Share Call: 086 111 5006
web: www.creativehousewares.co.za

